

# Columbia Power Technologies

Reenst Lesemann  
CEO

[rlesemann@columbiapwr.com](mailto:rlesemann@columbiapwr.com)

# Background

- Offices in Corvallis, OR & Charlottesville, VA
- Focused on utility-scale and low-power systems
- 12,000 hours of testing with certification from DNV-GL
- Public partners



# Initial Markets



## Low-power autonomous systems

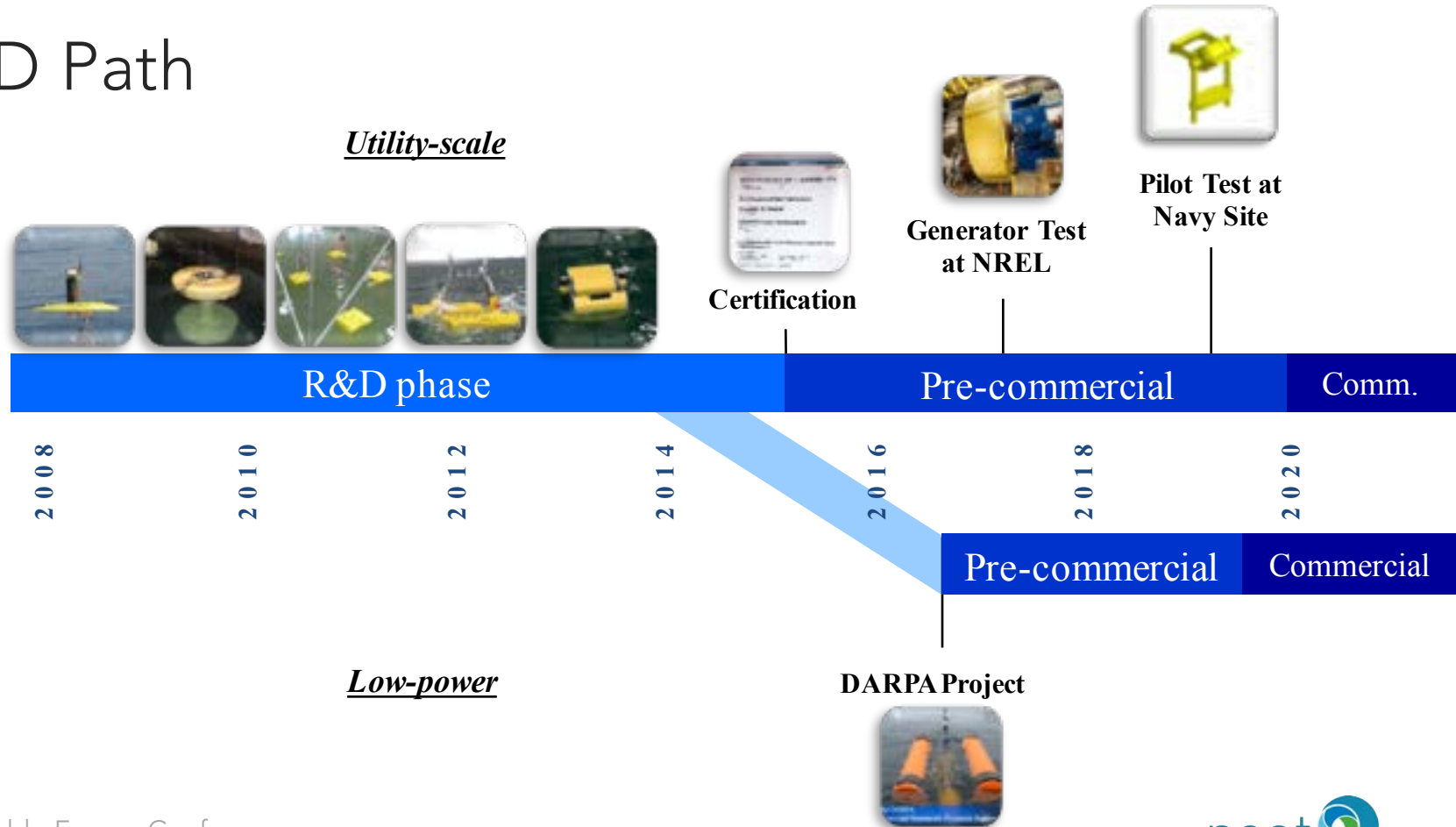
<b>Market Driver</b>	The “Internet of Ocean Things” needs power
<b>End Use</b>	autonomous marine sensors, ocean monitoring, AUV charging
<b>Initial Customers</b>	Defense, Homeland Security, Oil&Gas, Oceanographic Research
<b>Business Model</b>	Equipment sales through partners with outsourced manufacturing



## Utility-scale systems

<b>Market Driver</b>	Need for non-intermittent mainstream renewables
<b>End Use</b>	electricity production; power for drilling platforms
<b>Initial Customers</b>	Oil&Gas, European Utilities, Independent Power Producers

# R&D Path



# Current Projects



**Structural Optimization**  
Department of Energy



**I,O&M Optimization**  
Department of Energy



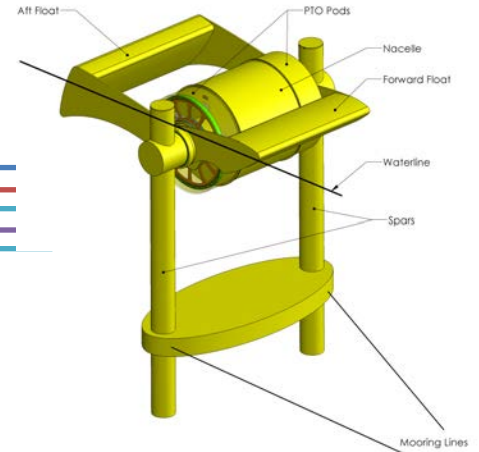
**Power Takeoff Validation**  
Department of Energy



**Advanced Control System**  
Department of Energy



**StingRAY H2 Open-Water Test**  
US Navy



# Marine Energy Council

- National MHK trade association
- Part of National Hydropower Association
- Open to industry, academia and service providers